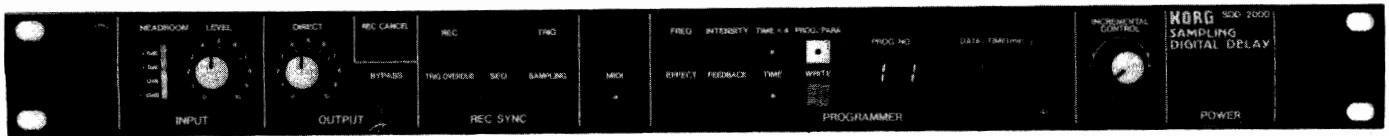


KORG®

DIGITAL DELAY SDD-2000



SERVICE MANUAL

CONTENTS

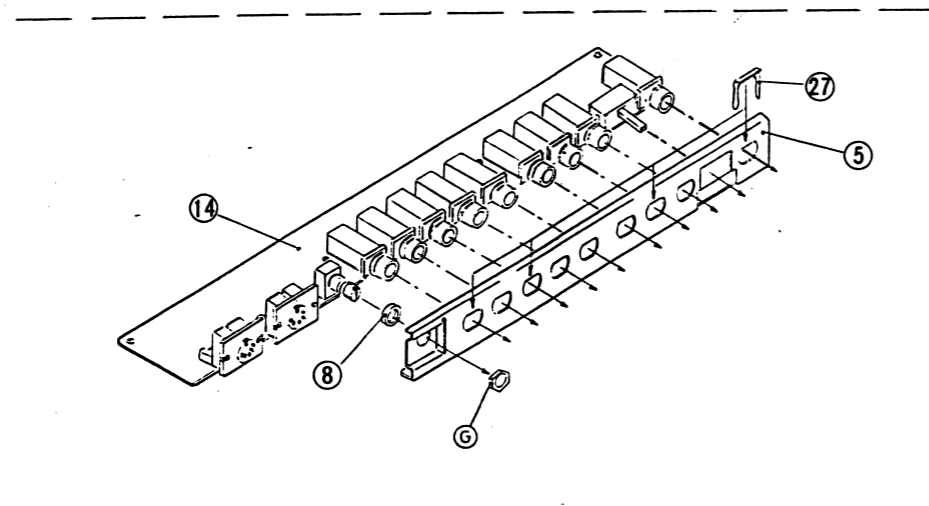
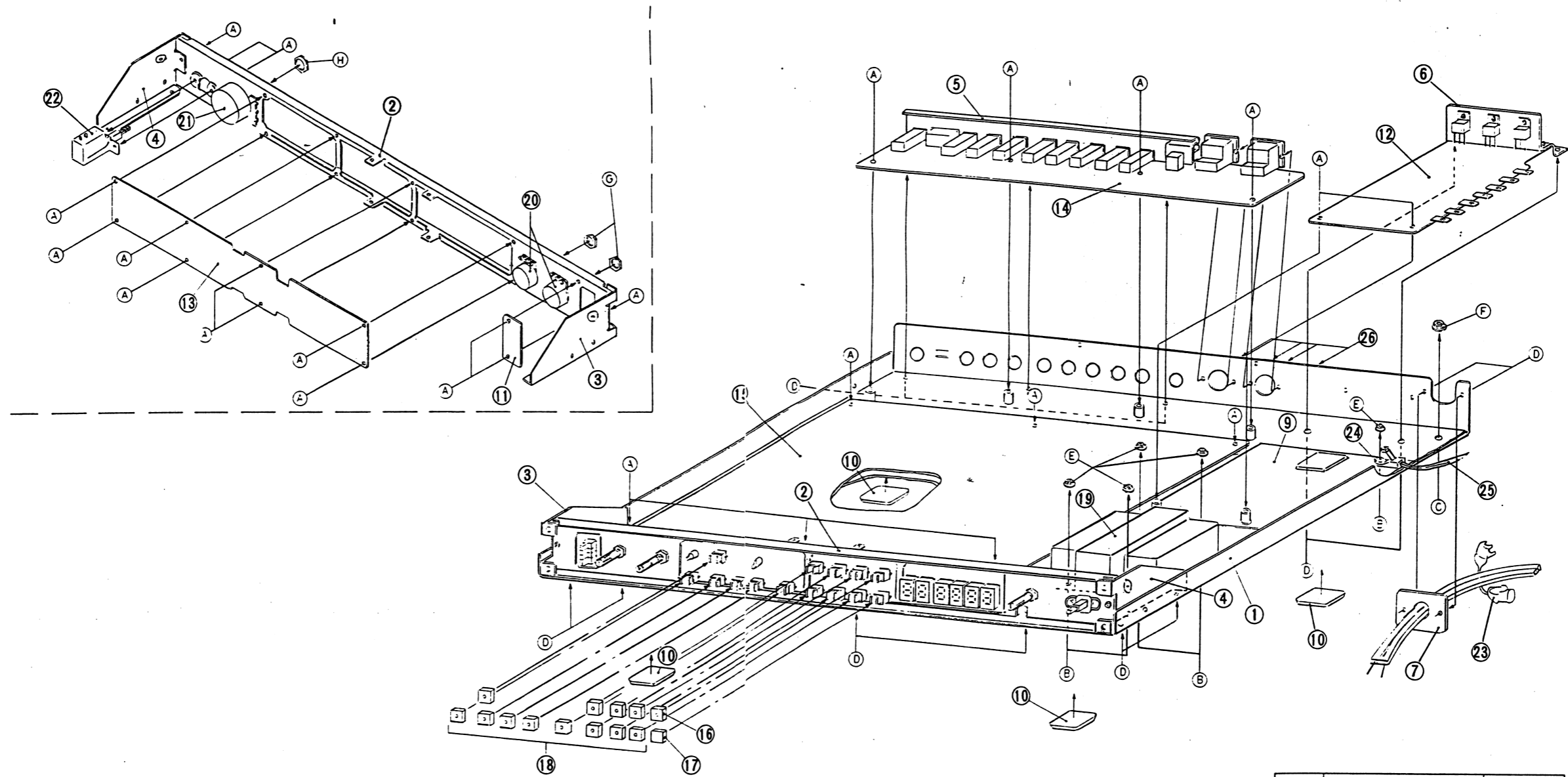
1. SPECIFICATIONS	2
2. STRUCTURAL DIAGRAM	3
3. BLOCK DIAGRAM	7
4. CIRCUIT DIAGRAM	8
5. PC BOARD	15
6. CIRCUIT DESCRIPTION	19
7. TROUBLE SHOOTING CHART	21
8. CHECK AND ADJUSTMENT PROCEDURE	23
9. REFERENCE DATA	25
10. PARTS LIST	27

KEIO ELECTRONIC LABORATORY CORPORATION
TOKYO/JAPAN

1. SPECIFICATIONS

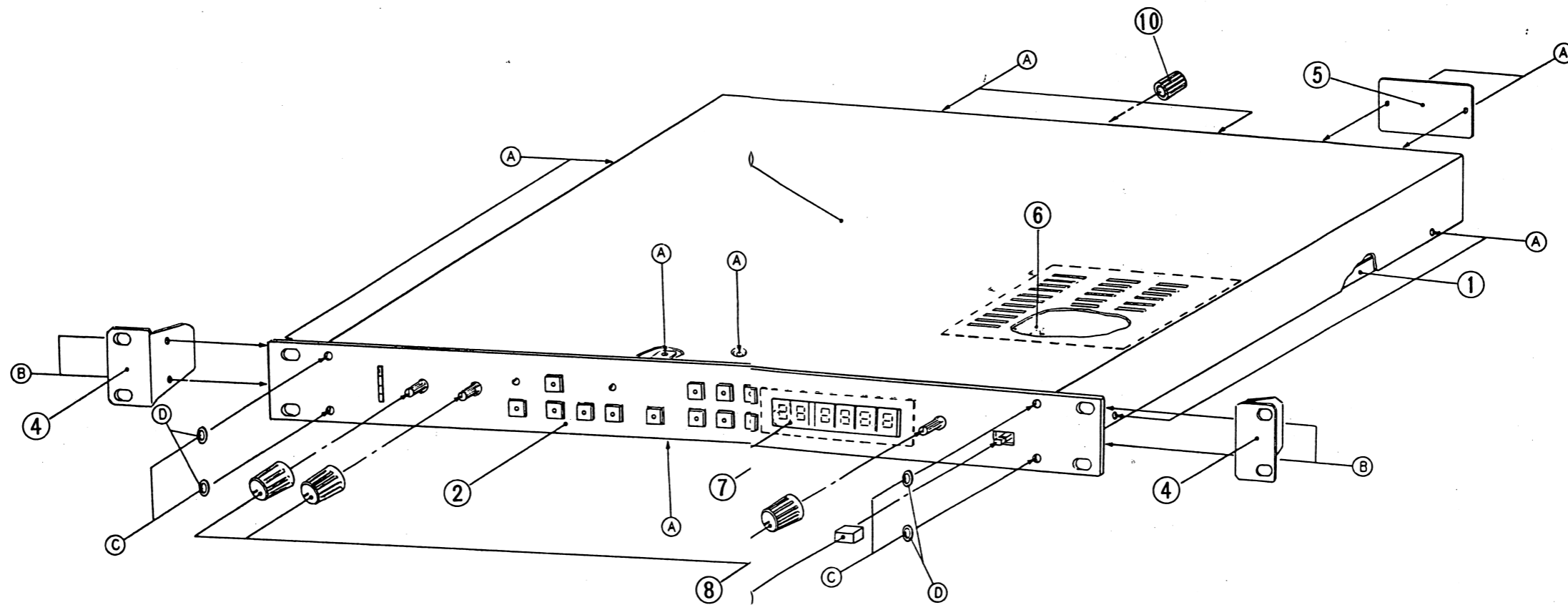
- **Input**
 - Input level: -35dBm
-10dBm
 - Impedance: 47k Ω
500k Ω
 - Max clip level: +6dBm
+19dBm
- **Output (Unity)**
 - Output level: -35dBm
-10dBm
 - Impedance: 600 Ω
600 Ω
600 Ω
600 Ω
 - Max clip level: -20dBm (Direct)
-20dBm (Effect)
+6dBm (Direct)
+3dBm (Effect)
- **Frequency response**
 - 20Hz ~ 20KHz, \pm 1dB (Direct)
 - 30Hz ~ 18KHz, +1dB, -3dB (Effect) (X1 mode)
 - 30Hz ~ 4.5KHz, +1dB, -3dB (Effect) (X4 mode)
- **Dynamic range**
 - 90dB (IHF) (Effect) or more
 - 95dB (IHF) (Direct) or more
- **S/N ratio**
 - 80dB (IHF) (Effect)
- **Distortion**
 - 0.05% (Direct)
 - 0.1% (Effect)
- **Delay time**
 - 0 ~ 4368msec (1msec step)
 - 0 ~ 1092msec (1 ~ 10msec - 1msec step) (X1 mode)
 - 0 ~ 4368msec (X4 mode)
- **Feedback**
 - 63 steps
 - 0 ~ 31 (Positive phase) 0: 0%,
33: 110%
 - 0 ~ -31 (Opposite phase) 0: 0%,
-31: 110%
- **Modulation**
 - Waveform: Triangle wave (\wedge)
 - Modulation frequency: 0.1Hz ~ 10Hz
(Frequency 0: 0.1Hz, 31: 10Hz)
 - Delay time modulation range: 2:1
(Intensity 31)
- **Dimensions**
 - 482 (W) X 44 (H) X 344 (D) mm
- **Weight**
 - 4.5kg
- **Power supply voltage**
 - AC100V, 50/60Hz
- **Power consumption**
 - 17W
- **Accessories**
 - Rack mounting kit (4 screws,
4 washers)
- **Options**
 - Signal cord, MIDI cable, Foot SW
(PS-1, S-2), 1U rack case

2. STRUCTURAL DIAGRAM



PART No.	PART NAME	QTY
A	FE B 3x8 ZMC	26
B	FE B 3x10 BZMC	5
C	FE B 4x8 BZMC	1
D	TP2GB 3x6 BZMC	13
E	FHN 3 ZMC	5
F	FHN 4 ZMC	1
G	VN 7 ZMC	3
H	VN 9 ZMC	1

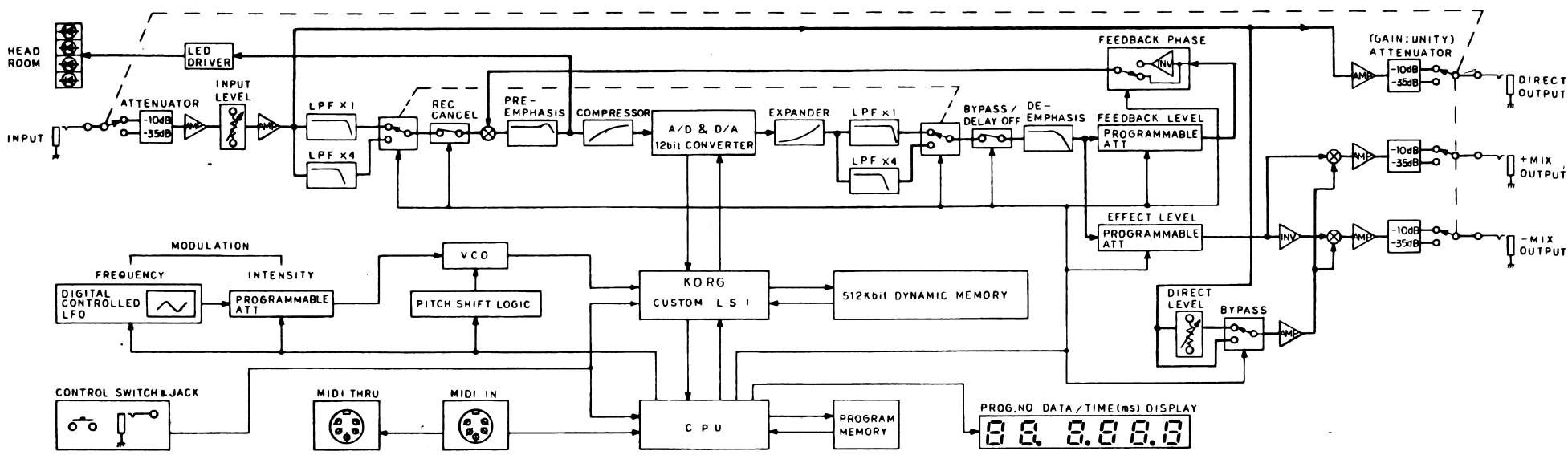
PART No.	PART NAME	PART CODE
1	CHASSIS	64069300
2	FRONT CHASSIS	64069400
3	METAL FITTING OF FRONT PANEL L	64063800
4	METAL FITTING OF FRONT PANEL R	64063601
5	METAL FITTING OF PHONE JACK	64069600
6	HEAT SINK	64063800
7	METAL FITTING OF BUSHING	64064000
8	VR HOLDER	79022102
9	SHIELDING PLATE	63000300
10	RUBBER FEET	50007800
11	KLM-825	34082510
12	KLM-829	34082910
13	KLM-831	34083100
14	KLM-832	34083200
15	KLM-833	34083300
16	TACT SW KNOB	62011001
17	TACT SW KNOB	62011202
18	TACT SW KNOB	62011000
19	POWER TRANSFORMER TA-802 TB-802	40008900 40009000
20	VR	36019100
21	ROTARY ENCODER	37003100
22	POWER SW	37506100
23	BUSHING	54005300
24	WIRE BAND	54007100
25	WIRE BAND	54011000
26	PLASTIC RIVET	54011000
27	SNAP PLATE	45402400



PART No.	PART NAME	Q'TY
A	TP2G B 3x6 BZMC	11
B	TP2G F 3x8 BZMC	4
C	FE HS 4x8 BZMC	4
D	WK 4 BZMC	4

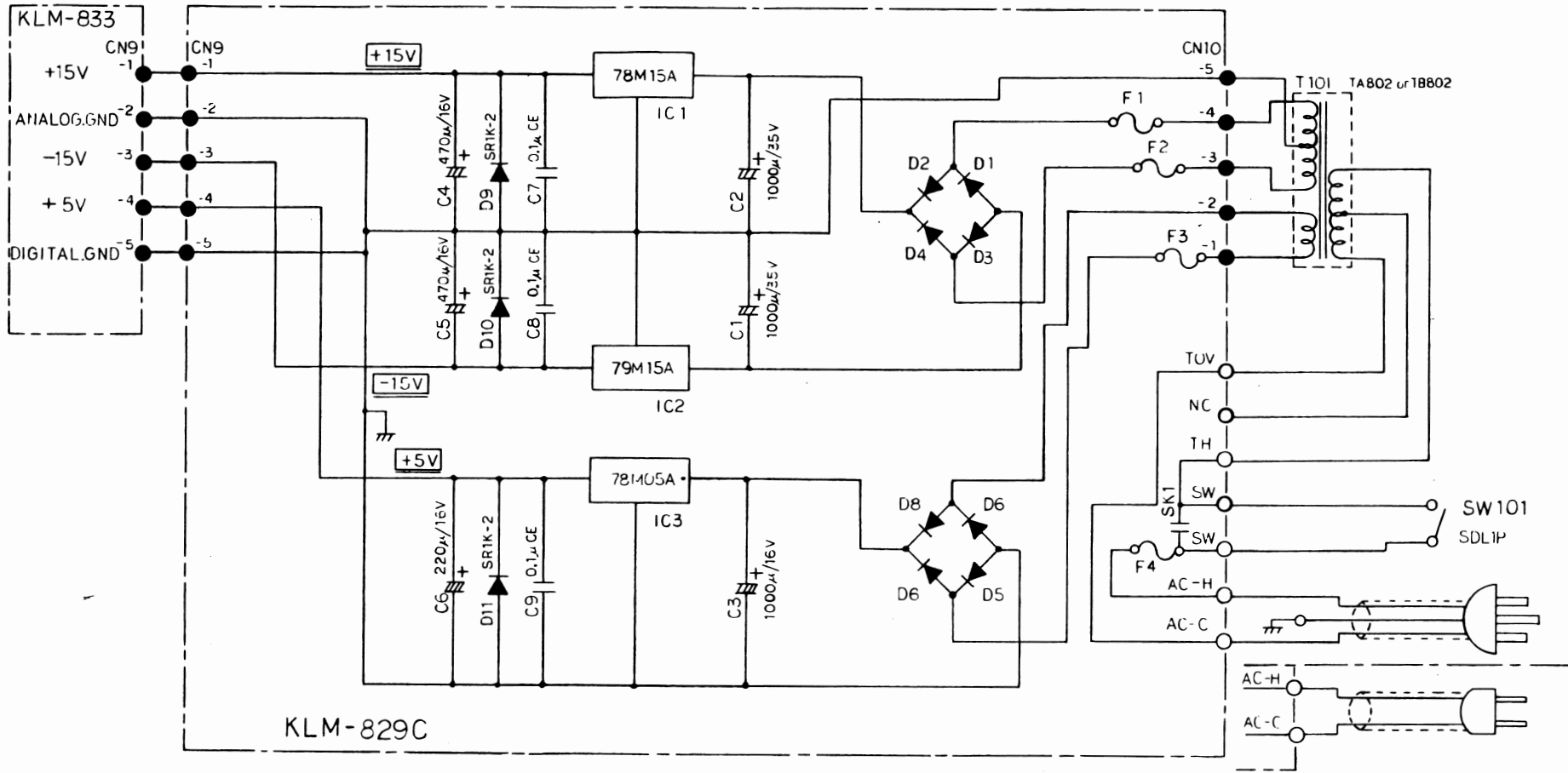
PART No.	PART NAME	PART CODE
1	CHASSIS	64089300
2	FRONT PANEL	64089200
3	COVER	64089500
4	FRONT PANEL BOARD	64083700
5	NAME PLATE	68800700
6	RADIATION MASK	55005100
7	LED FILTER	63001000
8	VR KNOB	62013200
9	POWER SW KNOB	62011100
10	ROTARY VR (SW) KNOB SMALL	62007400

3. BLOCK DIAGRAM



4. CIRCUIT DIAGRAM

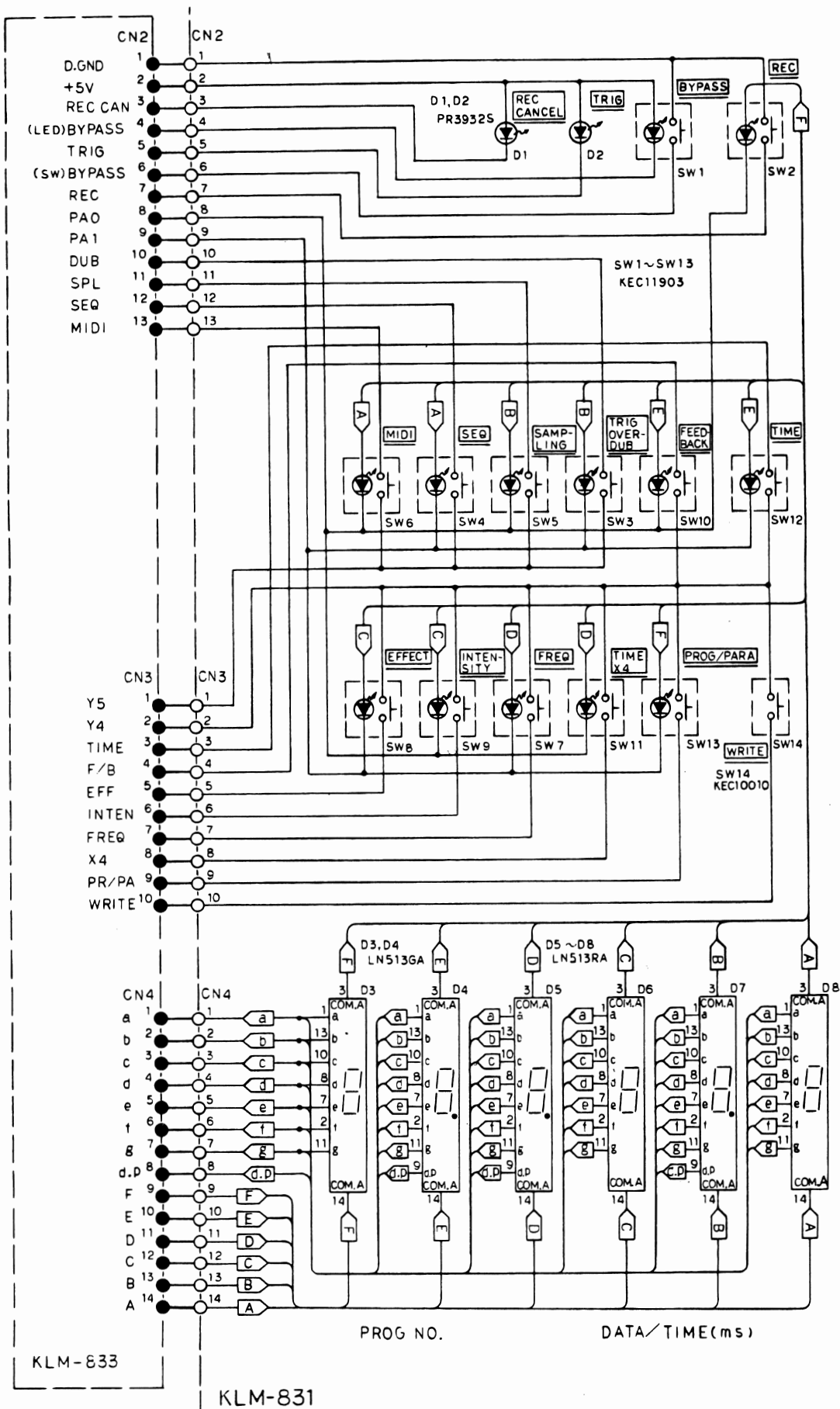
KLM-829



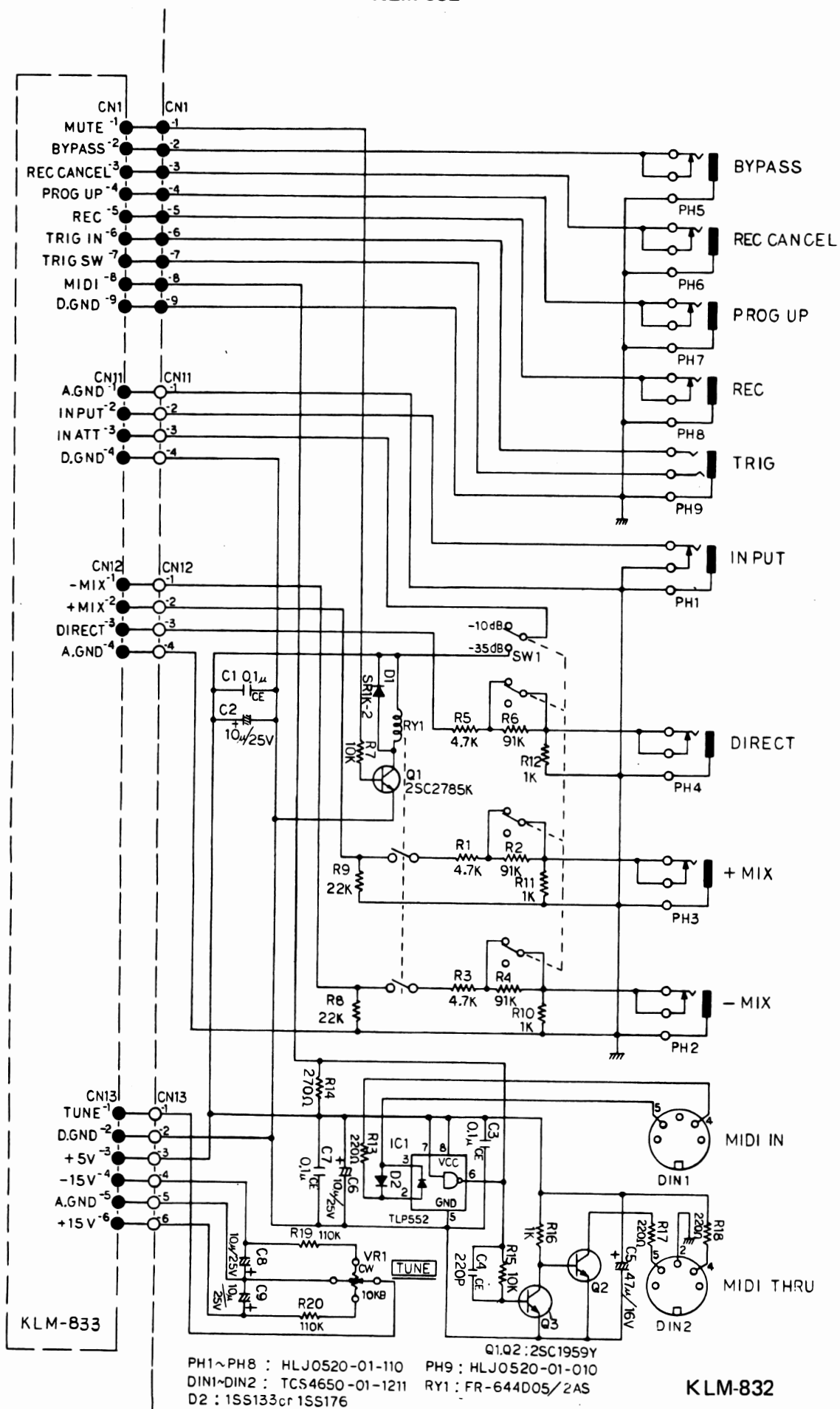
SK1:PME265MC533
D1-D8:SR1K-2

	F1, F2	F3	F4	T101
100V	250V 1A	125V 2A	250V 0.5A	TA-802
117V				
220V	250V.T1500mA	250V. T1A	250V.T315mA	TB-802
240V				

KLM-831



KLM-832



PH1~PH8 : HLJ0520-01-110 PH9: HLJ0520-01-010
 DIN1~DIN2 : TCS4650-01-1211 RY1: FR-644D05/2AS
 D2 : 1SS133cr 1SS176

KLM-832

6. CIRCUIT DESCRIPTION

1. KLM-833 Analog Circuit

Audio signal route

Level of Audio signal input from Connector CN-11 pin 2 is decided by Relay RY1 which is controlled by Attenuator SW. Level of Audio signal amplified by 1/2 IC31 is changeable by Input Level VR (VR101). Audio signal re-amplified by 1/2 IC31 (4558) is sent to each of (1) 2 kinds of Low-pass filter LPF-1, LPF-2 (2) Direct Out VR102, 1/2 IC36 and (3) Q24.

Q24 is amplifier for trigger controlled by Audio signal sending trigger signal to CPU port PA7 (IC23, pin 8) while sampling and start sampling according to Audio signal level.

IC35 is an Analog Switch selecting which Audio signal will be output, one from LPF-1, one from LPF-2 or no signal (=OFF). This IC is controlled by Gate Array. In this case, OFF is selected to off Audio signal and make Audio signal not to be sent to A/D while REC CANCEL. This IC35 is controlled by Gate Array IC22 pin 29 (SOFF terminal). (SOFF terminal is "L" while REC CANCEL)

Selecting of LPF-1, LPF-2 is made by CPU IC23. This is, CPU address is decoded by decoder IC56 and let IC47 latch data. Filter selecting signal is controlled by IC47 latch output pin 15. When delay time mode is x 4, this terminal comes to be "H" and LPF-1 (4.5KHz) is selected. 1/2 IC33 (Pin 1,2,3) works as Pre-emphasis, and Mix Amp of FEED BACK and 1/2 IC33 (Pin 5,6,7), IC32, IC37 work as Analog Compressor (Compressor+Expander) and Audio signal.

1/2 IC13 is an Analog Switch and works as a Bypass Switch of Analog Compressor Circuit. This IC is controlled by pin 27: COMP Terminal of Gate Array IC22. ("L" at Delay, "H" at Sampling, Sequencer)

While sampling, it lets compressed Audio signal bypass Analog Compressor Part not to have compressing error. Output signal (LCOM terminal) of IC13 is output as A/D signal to Digital Circuit.

D/A signal once digitalized in Digital Circuit changes to Analog signal after through D/A and is input to IC29, IC32. IC32 constructs Expander with 1/2 IC34, and IC37.

IC29 constructs Audio Muting Circuit with IC30. 1/2 IC13 is an Analog Switch and works with Compressor to make Audio signal bypass Expander while Sampling.

IC 29: Signal Muting Circuit is VCA which has time constance in order not to generate Noise at signal sudden ON/OFF and smoothen Audio signal while sampling. This IC works with control signal from CPU PA6 terminal letting IC30 drive VCA.

IC39 is an Analog Switch selecting which Audio signal will be output, one from LPF-3, one from LPF-4 or no signal (=OFF). OFF is selected in order to off delay sound while REC SYNC SW is ON (Sampling, Sequencer, Trigger Overdub are ON). When those Switches are ON, Gate Array IC22 pin 28 (DOFF terminal) becomes "H" and off output from IC39.

The signal which passes IC39 is de-emphasized at 1/2 IC40 (pin 5,6,7) and go into EFFECT Volume Control Circuit and FEED BACK Volume Control Circuit.

A) EFFECT Volume Control Circuit

EFFECT Level data from CPU DATA BUS D0 – D7 is latched by IC44 and IC44 lets Analog switches IC45, IC46 control Block R. RM8 to decide EFFECT level.

B) FEED BACK Volume Control

FEED BACK Level Data of CPU DATA BUS is latched by IC41 and IC41 lets Analog Switches IC42, IC43 control Block R. RM7 to decide FEED BACK level.

Phase of FEED BACK signal output from Block R. RM7 is inverted at 1/2 IC40 (pin 1,2,3).

Analog SW. IC42 selects if normal or inverted and the feedbacked signal is returned to IC35 output.

(Note: Analog Switch is controlled by CPU DATA latched by IC41.)

MODULATION PART

FREQ.

At 2/4 IC54 (pin 5,6,7 pin 8,9,10), Triangle Wave Oscillator Circuit is constructed. Data from CPU DATA BUS is latched by IC47 and IC47 Analog SW. IC49, IC48 control RM9 to decide oscillation frequency.

INTENSITY

Data from CPU DATA BUS DATA is latched by IC50 and lets Analog Switch IC51, 52 control Block R. RM10 to be working as attenuator in order to decide MG INT.

IC53 latches Scale Data which is from CPU DATA BUS By the latched data, IC55 works as D/A and input latched data to pin 2 of IC54 and mix with basic voltage to control VCO: IC21 which changes system clock.

2. KLM-833 Digital Circuit

1) Audio Signal Path

A/D signal is made to be S/H by IC15 and 1/2 IC14. The signal made to be S/H is at IC17 and to be Digital signal after linearization (12bit) by D/A IC18 and Successive Approximation Registers. And memorized into IC11 – IC14 accordingly.

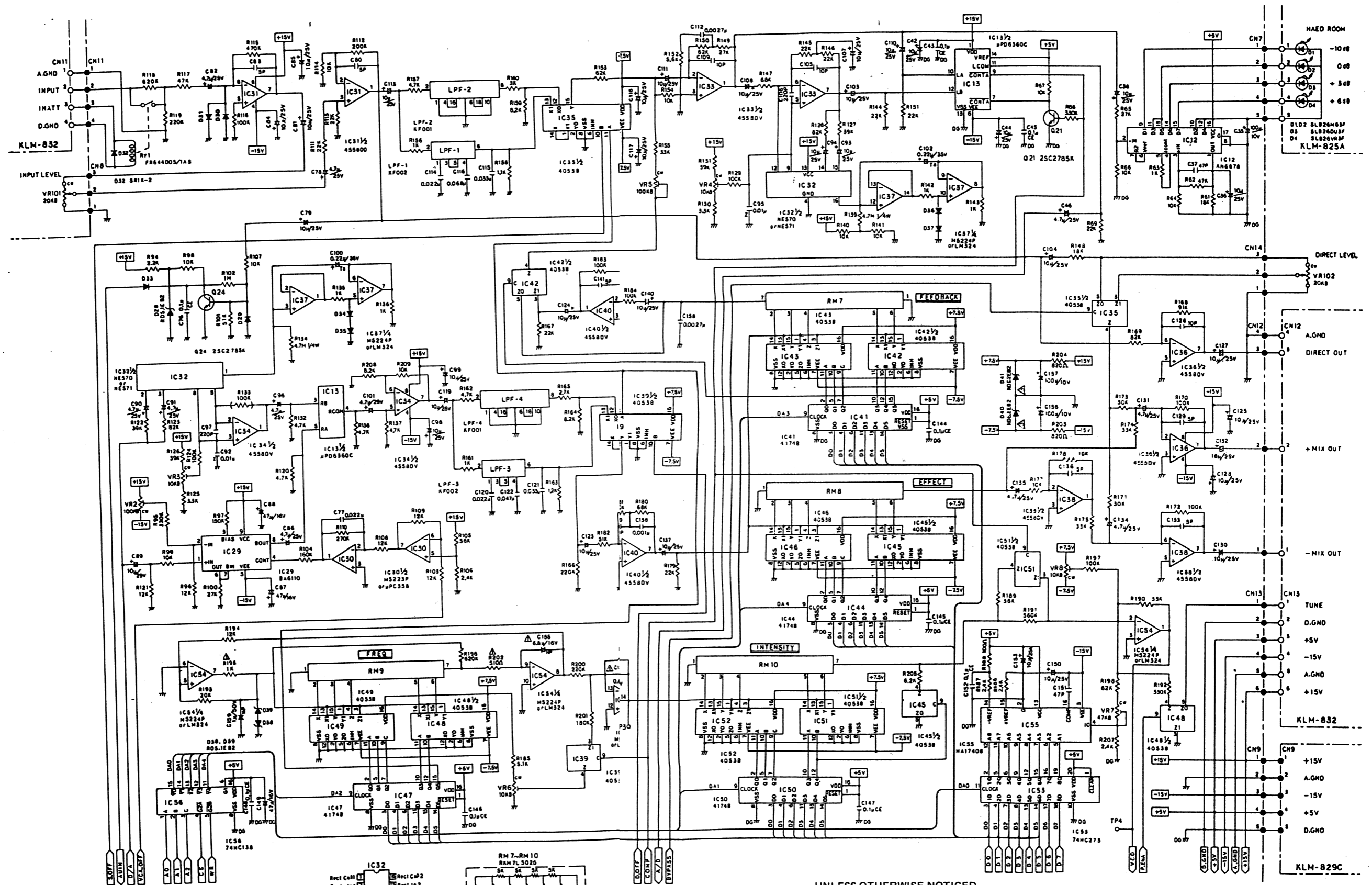
IC3, IC2 (74HC138) are decoders.

Gate Array reads Delay value from DATA BUS of CPU and outputs address which accesses D-RAM. And output data from D-RAM returns to Gate Array and Gate Array controls IC18 to output D/A signal. Output data from D/A is made to be S/H at IC16, 1/2 IC14 and output to Analog Circuit as analog signal.

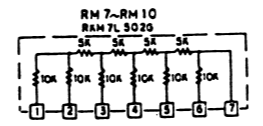
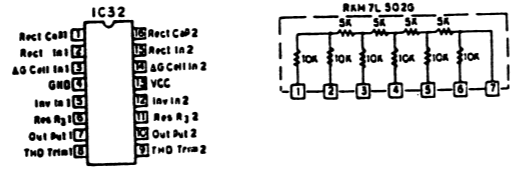
2) System Clock Path

VCO control D/C voltage is sent from Analog Circuit to IC21 pin 13. With the voltage, IC21 generates and supplies System Clock to IC22 pin 31. Gate Array IC22 produces Timing which controls each part of SDD-2000.

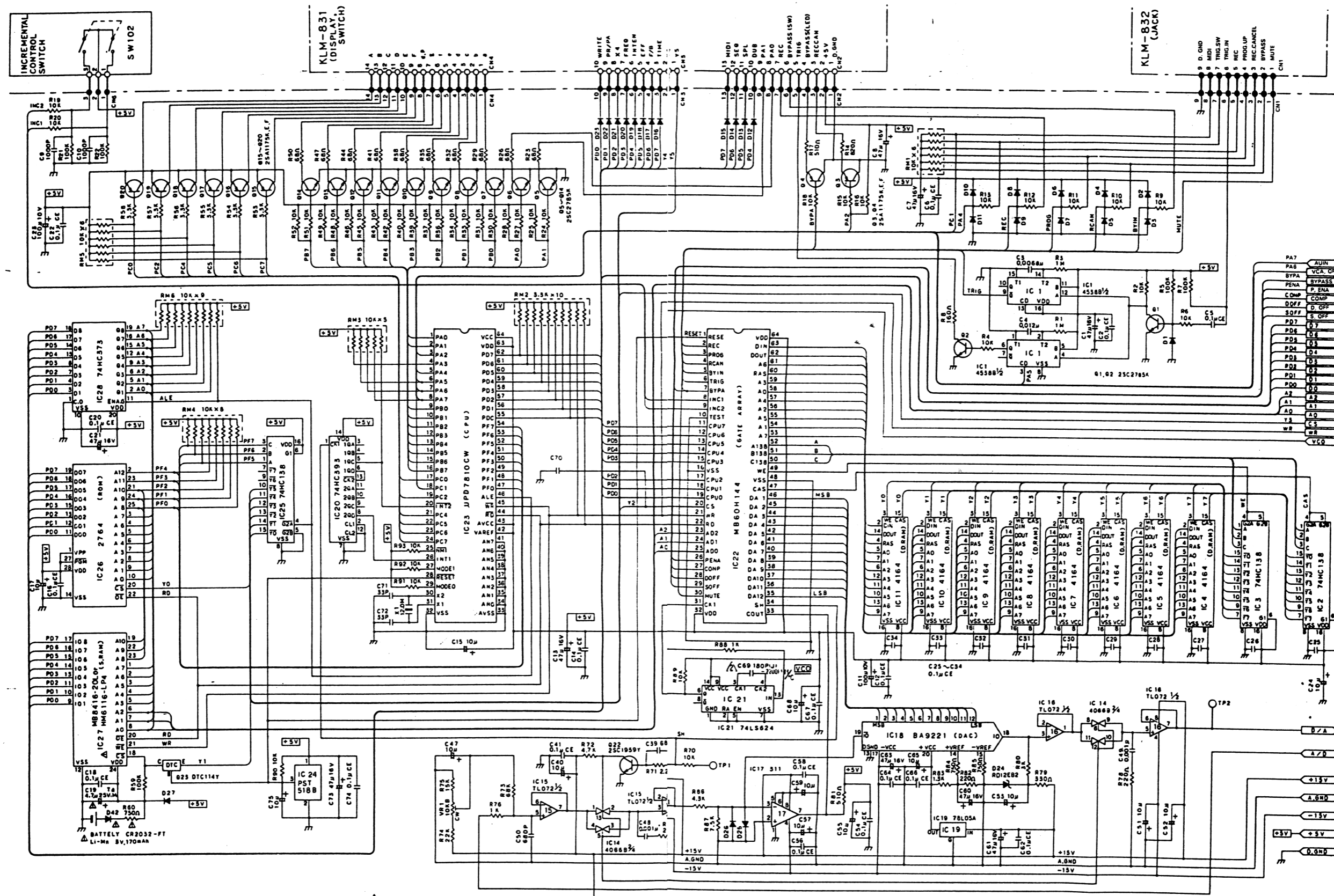
KLM-833 (1)



UNLESS OTHERWISE NOTICED
 POWER SUPPLY VOLTAGE OF OP AMP +15V AND -15V
 ALL DIODES 1SS133 OR 1SS176
 CERAMIC CAPACITORS RANK J (5%)
 MYLAR CAPACITORS RANK J (5%)
 ARE CONNECTED TO KLM-833A (2)



KLM-833 (2)



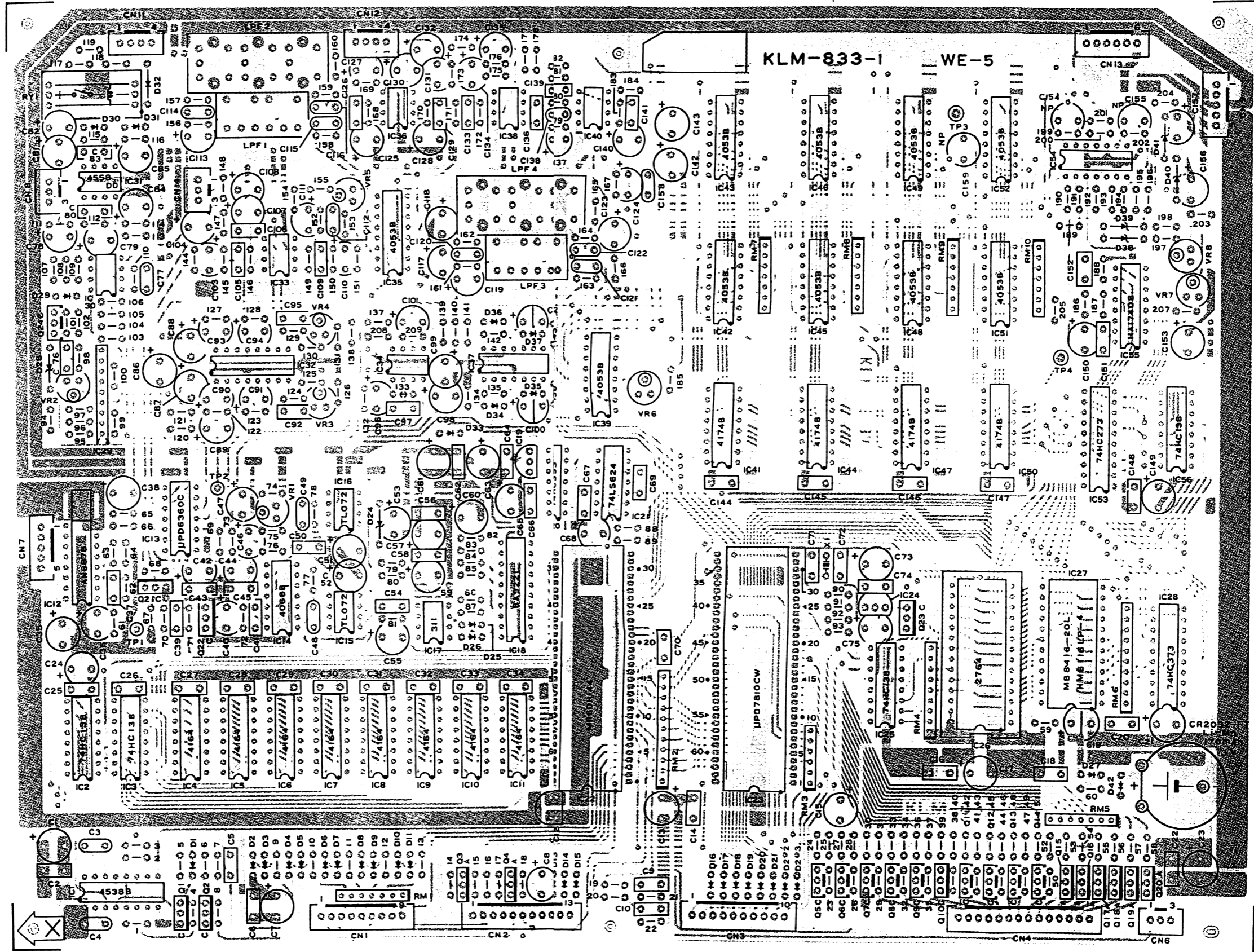
KLM-833A

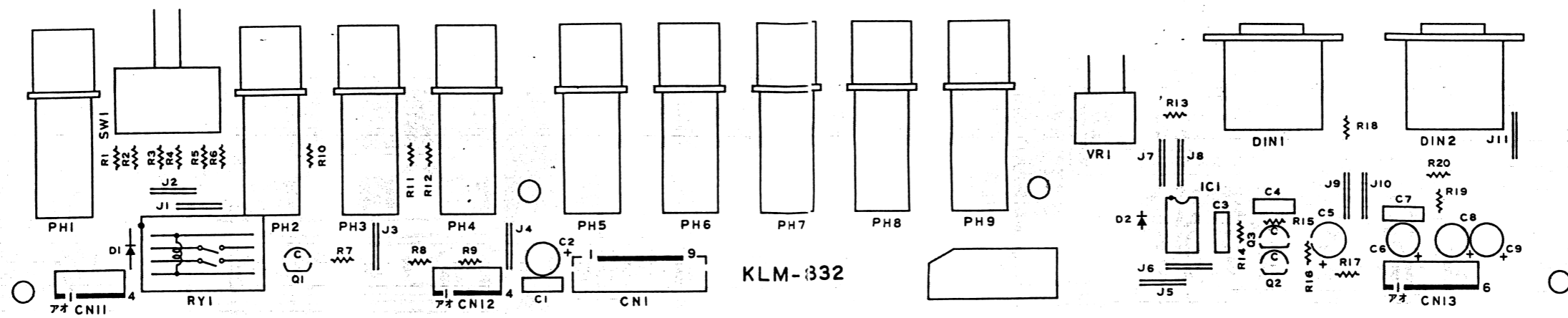
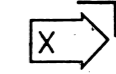
LESS OTHERWISE NOTICED
 A DIODES 1SS133T77 OR 1SS176TPA7
 A RESISTORS S 1/6 WJTP
 A CERAMIC AND MYLAR CAPACITORS RANK K
 CAMIC CAPACITOR 0.1μ CE RANK Z 25V PRESSURE
 POF
 ECTROLYTIC CAPACITOR 10μ 25V PRESSURE PROOF

Note: C70 is not in use.
 are connected to KLM-833A (1).

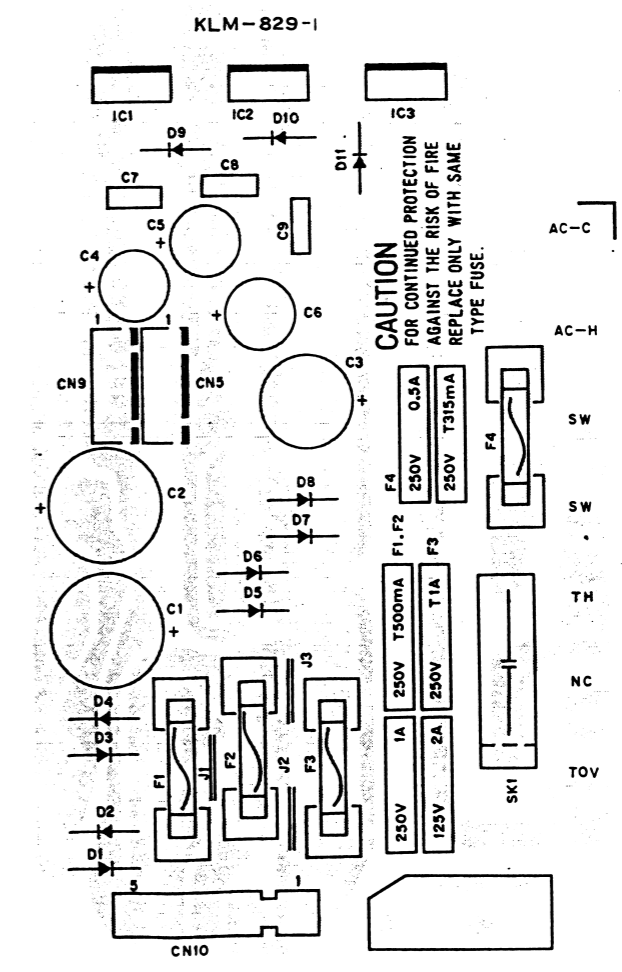
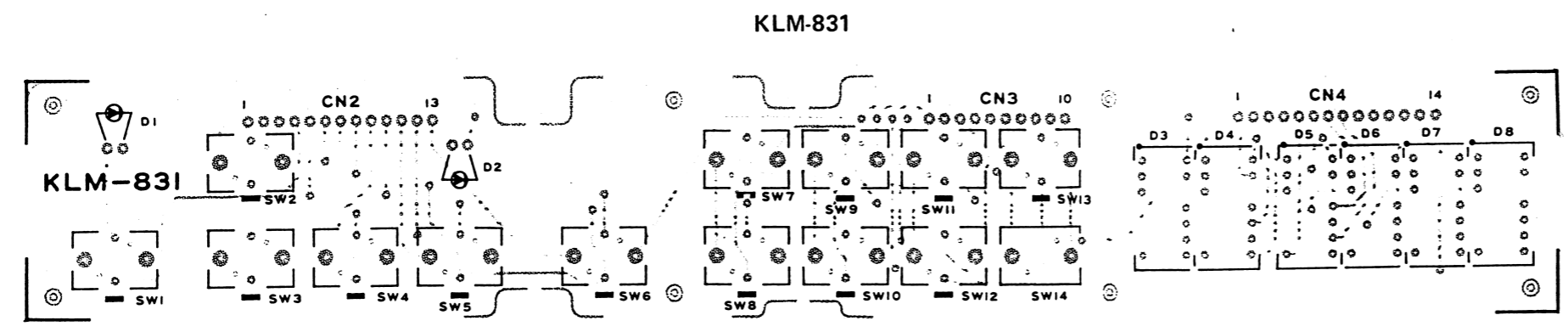
5. PC BOARD

KLM-833





KLM-829



6.

1.

Au

Lev

is c

SW

abl

by

pa

an

Q2

ser

wh

sig

IC

wi

sig

thi

Au

Th

ter

Se

CF

lat

lat

te

1/

of

w

ar

1/

of

"

W

A

O

si

D

A

IC

IC

n

I

c

C

T

I

v

s

v

(

3) Switch, Control Part

Pulse signal sent from Incremental Controller controls Internal Counter of Gate Array and it sends Count value to CPU DATA BUS.

Waveform of the signal sent from Trigger Jack is shapened at Q1 and at One shot-Multi of IC1 reformed to pulse wave. LED displaying of Trigger signal ON/OFF is done by IC1 and Q2.

Input signals of MUTE, BYPASS, REC CANCEL, PROG. UP, REC TRIG SW. are input to Gate Array and sent to CPU as readable data.

MIDI signal is sent to and controlled by CPU.

Tact Switch on Front Panel is controlled by CPU.

4) CPU

CPU connects IC28 (Latch), IC26 (ROM), IC27 (RAM) and IC22 (Gate Array) through decoder and controls each with DATA BUS.

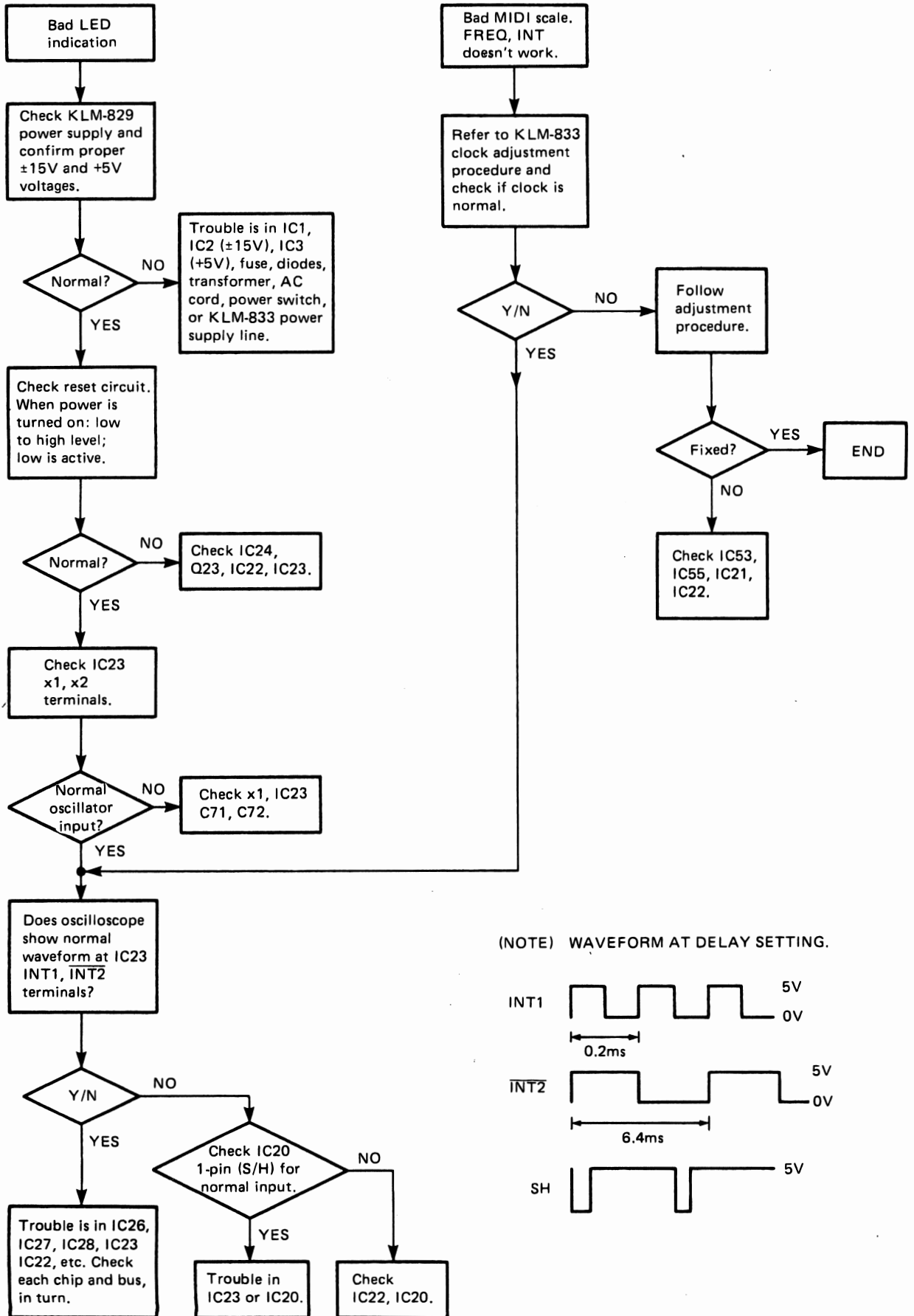
IC20 Counter HC393 divides the signal (S/H) synchronizing with System Clock of Gate Array and sends it to CPU in order that CPU can read system clock.

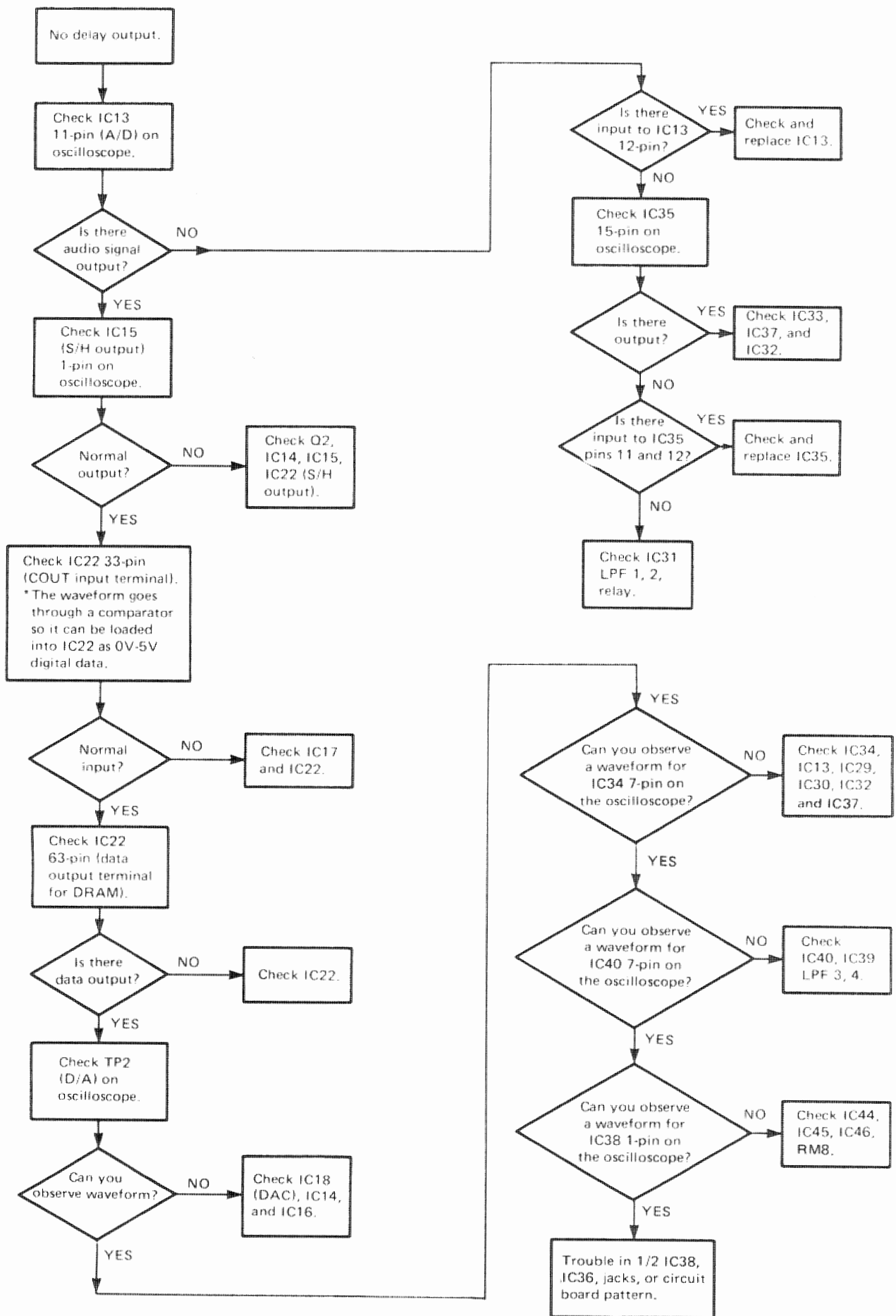
7. TROUBLESHOOTING CHART

Note:

Before servicing, make sure that all harnesses are plugged into their connectors.

Problem:





8. CHECK AND ADJUSTMENT PROCEDURE

Caution:

- This product has been adjusted completely at the factory before shipment.
Therefore, do not adjust any points other than those seemed necessary.
- Wait at least 10 minutes after turning on the power before making any adjustments.

1) Clock check and adjustment – 1

- Setting: (any program number OK) Set TUNE VR on rear panel to center.

ATT SW	LEVEL VR	DIRECT VR	EFFECT	F.BACK
-10	0	0	0	0
D.TIME	INTENSITY	FREQ.	TIME x 4	MODE
0	0	0	OFF	DELAY

- Connect frequency counter to TP1 test point of KLM-833 and observe frequency.
- Check if value of the counter is 40kHz ± 100Hz.
- Adjust VR8 to obtain above value if the observed value is out of above range.

2) Clock check and adjustment – 2

- Setting: (any program number OK) Set TUNE VR on rear panel to center.

ATT SW	LEVEL VR	DIRECT VR	EFFECT	F.BACK
-10	7	0	0	0
D.TIME	INTENSITY	FREQ.	TIME x 4	MODE
0	0	0	OFF	*

- * OFF the MIDI SW, and record any sound with SEQ MODE.
- Connect frequency counter to TP1 and observe frequency.
 - ON the MIDI SW, and play MIDI Keyboard such as POLY-800.

ex)

Value on counter

C1 Key	10,000Hz
C2 Key	20,000Hz
C3 Key	40,000Hz
B3 Key	75,644Hz
Bend Up (Bend Range Max)	80,000Hz

Note:

MIDI Receive CH must be 1CH.
MIDI edit information must be X4 mode.
Support note range must be C1.

- Confirm if the value on the counter is within 80KHz ±100Hz.
- Adjust VR7 to obtain above value if the observed value is out of above range.

3) LFO check and adjustment

- Setting: (any program number OK)

ATT SW	LEVEL VR	DIRECT VR	EFFECT	F.BACK
-10	0	0	0	0
D.TIME	INTENSITY	FREQ.	TIME x 4	MODE
0	0	0	OFF	DELAY

- Connect oscilloscope (0.5V/div, 0.5V/div, DC) to TP3 on KLM-833 and observe waveform described below.



Fig. 1

- Confirm if top of the waveform is 0V.
- Adjust VR6 to obtain above waveform if observed waveform is different from the above description.

4) Maximum output level check and adjustment

- Setting: (any program number OK)

ATT SW	LEVEL VR	DIRECT VR	EFFECT	F.BACK
-10	7	*	*	0
D.TIME	INTENSITY	FREQ.	TIME x 4	MODE
0	0	0	OFF	DELAY

* any value OK

- Connect standard signal generator (1KHz sine wave) to this unit's Input Jack.
- Connect oscilloscope (2V/div, 50μsec/div, AC) to TP2 on KLM-833 and observe waveform described as below.
To get the click waveform as below, adjust output volume of standard signal generator.

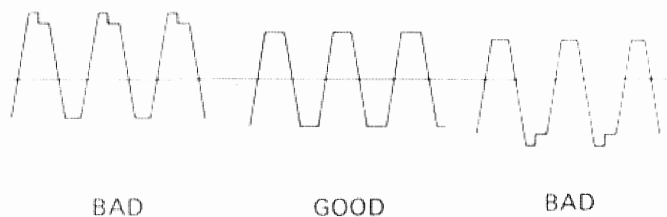


Fig. 2

- Check if the observed waveform is GOOD. If not, adjust VR1 on KLM-833.

5) Analog Converter check and adjustment

a) Setting: (any program number OK)

ATT SW	LEVEL VR	DIRECT VR	EFFECT	F.BACK
-10	7	0	22	0
D.TIME	INTENSITY	FREQ.	TIME x 4	MODE
0	0	0	OFF	DELAY

b) Input sine toneburst wave (=Sine Pulse Wave) (level: 10dBm, Freq.: 400Hz, width: 100msec) to Input Jack and observe EFFECT OUT with oscilloscope.

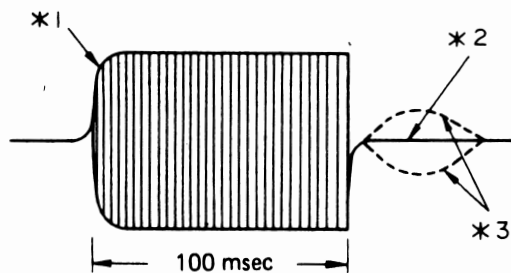


Fig. 3

c) When you cannot get correct waveform as above; Adjust linearity at *3 with VR3, or adjust VR4 on KLM-833 to minimize DC drift in part *3 of the waveform. (*Description of the above figure is almost same as Service Manual for SDD-1000. Please refer to it.) (Page 16)

6) Feed back check and adjustment

a) Setting: (any program number OK)

ATT SW	LEVEL VR	DIRECT VR	EFFECT	F.BACK
-10	7	0	22	30
D.TIME	INTENSITY	FREQ.	TIME x 4	MODE
120msec	0	0	OFF	DELAY

- b) Connect oscilloscope (AC 0.5V/div, 0.5msec/div) to EFFECT OUT and confirm ringing when input sineburst wave (Freq.: 400Hz, width: 100msec) to Input Jack.
- c) Set parameter value of FEED BACK to 28 and confirm no ringing when input the same sineburst wave as b).
- d) Adjust VR5 not to generate ringing in case ringing occurs in above c).
- e) Confirm if
no ringing occurs without any input.
ringing occurs with parameter value of FEED BACK is even -30 ± 1 and phase changes.

7) VCA check and adjustment

a) Setting: (any program number OK)

ATT SW.	LEVEL VR	DIRECT VR	EFFECT	F.BACK
-10	7	0	31	0
TIME	INTENSITY	FREQ.	TIME x 4	MODE
0	0	0	OFF	SAMPLING

- b) Input SG (sine wave of 1KHz, 2.5V P-P) to Input Jack and play sampling.
- c) Connect MIDI Keyboard and playback sampling note. (play any key continuously)
- d) Connect oscilloscope (DC 0.2V/div, 20msec/div) to EFFECT OUT and observe waveform as below.

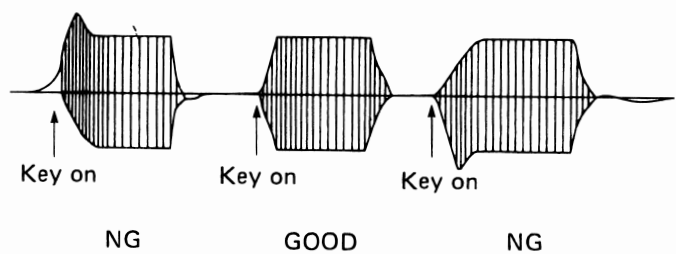


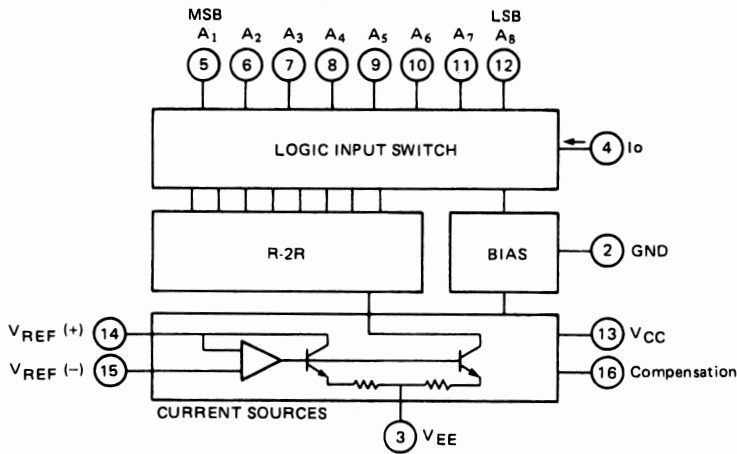
Fig. 4

e) Confirm if the observed waveform is GOOD. If not, adjust VR2 on KLM-833.

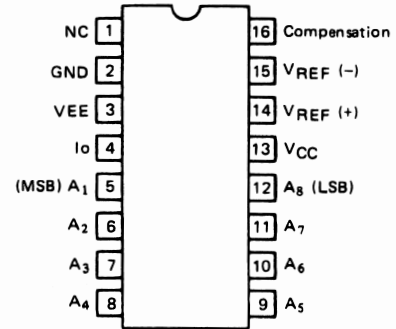
9. REFERENCE DATA

8 BIT D/A CONVERTER HA17408

BLOCK DIAGRAM

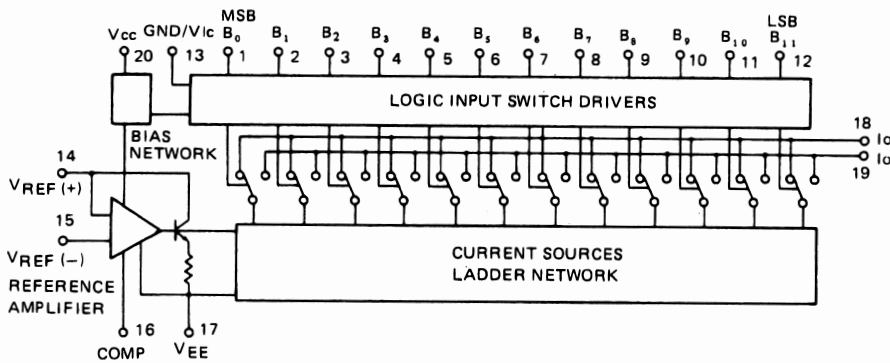


PIN CONFIGURATION

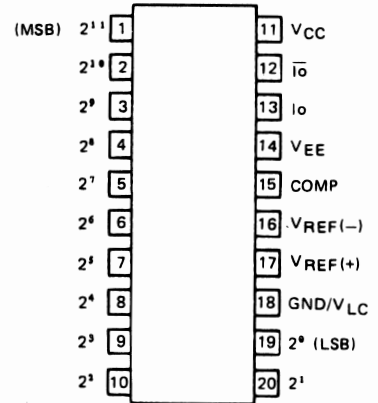


12 BIT D/A CONVERTER BA9221

BLOCK DIAGRAM

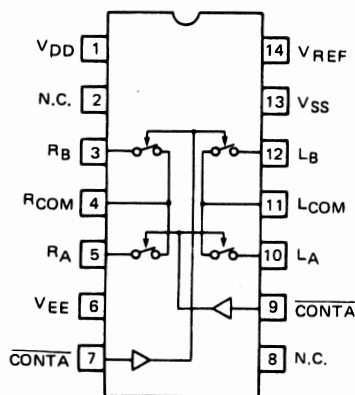


PIN CONFIGURATION



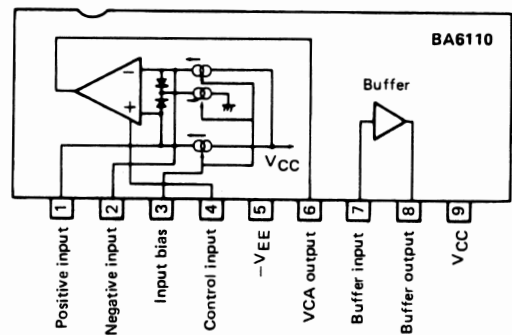
CMOS ANALOG SWITCH μ PD6360C

BLOCK DIAGRAM, PIN CONFIGURATION



VCA BA6110

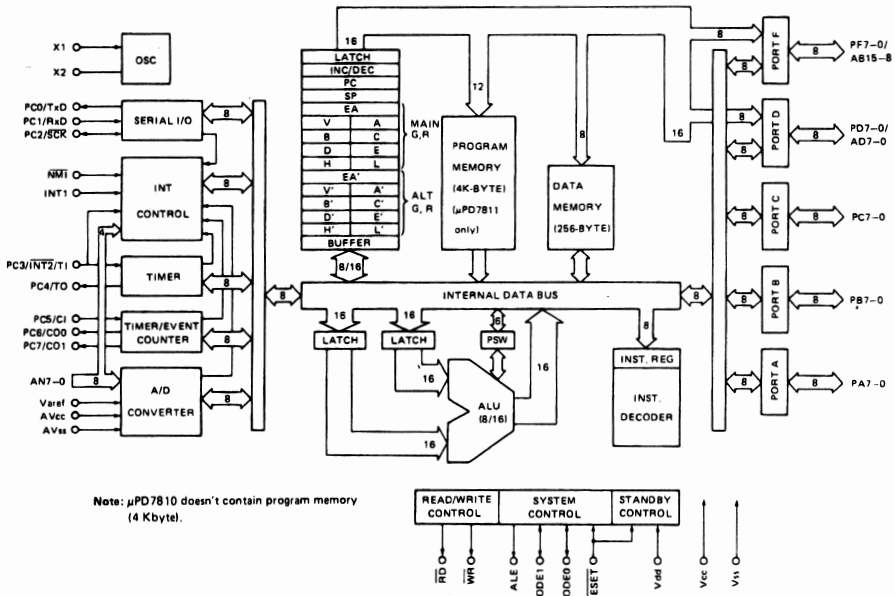
BLOCK DIAGRAM



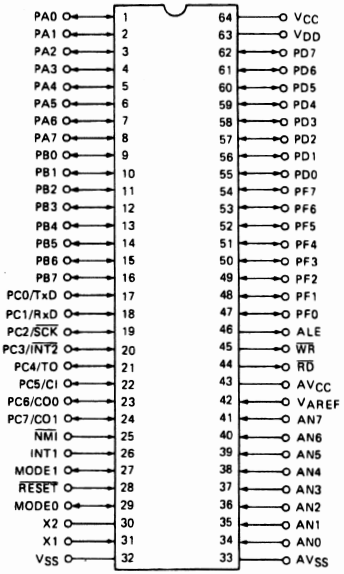
CPU μ PD7810

BLOCK DIAGRAM

PIN CONFIGURATION



Note: μ PD7810 doesn't contain program memory (4 Kbyte).



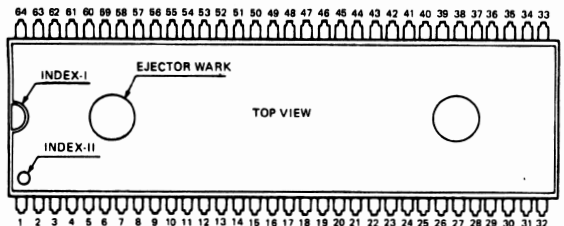
PIN NAMES

- PA7-0 : Port A
- PB7-0 : Port B
- PC7-0 : Port C
- PD7-0 : Port D
- PF7-0 : Port F
- NMI : Non Maskable Interrupt
- INT1 : Interrupt Request
- MODE0,1 : Mode 0, 1
- X1, X2 : Crystal
- AN7-0 : Analog Input
- RD : Read Strobe
- WR : Write Strobe
- ALE : Address Latch Enable
- RESET : Reset
- VAREF : Reference Voltage

GATE ARRAY MB60H144

PIN CONFIGURATION

PIN DEFINITIONS



Pin no.	I/O	Pin name	Pin no.	I/O	Pin name	Pin no.	I/O	Pin name
1	I	RESE	17	I/O	CPU2	33	I	COUT
2	I	REC	18	I/O	CPU1	34	O	SH
3	I	PROG	19	I/O	CPU0	35	O	DA12
4	I	RCAN	20	I	CS	36	O	DA11
5	I	BYIN	21	I	WR	37	O	DA10
6	I	TRIG	22	I	RD	38	O	DA9
7	O	BYPA	23	I	AD2	39	O	DA8
8	I	INC1	24	I	AD1	40	O	DA7
9	I	INC2	25	I	AD0	41	O	DA6
10	I	TEST	26	O	PENA	42	O	DA5
11	I/O	CPU7	27	O	CONP	43	O	DA4
12	I/O	CPU6	28	O	DOFF	44	O	DA3
13	I/O	CPU5	29	O	SOFF	45	O	DA2
14	I/O	CPU4	30	O	MUTE	46	O	DA1
15	I/O	CPU3	31	I	CK1	47	O	CAS
16	-	VSS	32	-	VDD	48	-	VSS
						64	-	VDD

Fujitsu CMOS Gate Array "H" Version Pin Assignment

10. PARTS LIST

PARTS CODE	PARTS NAME SPECIFICATIONS	P.C. BOARD	IDENTIFICATION NO. FUNCTION	Q'TY
CARBON RESISTORS				
10113747	S1/4JT 4.7M	KLM-833		2
10416268	1/6JTP 68Ω			10
10416310	1/6JTP 100Ω			1
10416316	1/6JTP 160Ω			1
10416322	1/6JTP 220Ω	KLM-832		3
10416322	1/6JTP 220Ω	KLM-833		3
10416327	1/6JTP 270Ω	KLM-832		1
10416333	1/6JTP 330Ω	KLM-833		1
10416351	1/6JTP 510Ω			3
10416375	1/6JTP 750Ω			3
10416382	1/6JTP 820Ω			3
10416410	1/6JTP 1.0K	KLM-832		4
10416410	1/6JTP 1.0K	KLM-833		10
10416411	1/6JTP 1.1K			1
10416412	1/6JTP 1.2K			1
10416413	1/6JTP 1.3K			1
10416422	1/6JTP 2.2K			2
10416424	1/6JTP 2.4K			4
10416427	1/6JTP 2.7K			1
10416430	1/6JTP 3.0K			2
10416433	1/6JTP 3.3K			8
10416443	1/6JTP 4.3K			1
10416447	1/6JTP 4.7K	KLM-832		3
10416447	1/6JTP 4.7K	KLM-833		7
10416451	1/6JTP 5.1K			1
10416456	1/6JTP 5.6K			1
10416462	1/6JTP 6.2K			1
10416475	1/6JTP 7.5K			1
10416482	1/6JTP 8.2K			3
10416510	1/6JTP 10K	KLM-832		2
10416510	1/6JTP 10K	KLM-833		52
10416512	1/6JTP 12K			6
10416515	1/6JTP 15K			1
10416518	1/6JTP 18K			2
10416520	1/6JTP 20K			1
10416522	1/6JTP 22K	KLM-832		2
10416522	1/6JTP 22K	KLM-833		10
10416527	1/6JTP 27K			3
10416530	1/6JTP 30K			3
10416533	1/6JTP 33K			4
10416536	1/6JTP 36K			1
10416539	1/6JTP 39K			4
10416547	1/6JTP 47K			2
10416551	1/6JTP 51K			2
10416556	1/6JTP 56K			1

PARTS CODE	PARTS NAME SPECIFICATIONS	P.C. BOARD	IDENTIFICATION NO. FUNCTION	Q'TY
10416562	1/6JTP 62K	KLM-833		3
10416568	1/6JTP 68K			4
10416582	1/6JTP 82K			3
10416591	1/6JTP 91K	KLM-832		3
10416591	1/6JTP 91K	KLM-833		1
10416610	1/6JTP 100K			13
10416611	1/6JTP 110K	KLM-832		2
10416615	1/6JTP 150K	KLM-833		1
10416616	1/6JTP 160K			1
10416618	1/6JTP 180K			1
10416620	1/6JTP 200K			1
10416622	1/6JTP 220K			3
10416627	1/6JTP 270K			1
10416633	1/6JTP 330K			3
10416647	1/6JTP 470K			1
10416656	1/6JTP 560K			1
10416662	1/6JTP 620K			2
10416710	1/6JTP 1.0M			3
10509000	YLC 0Ω	KLM-832		11
METAL FILM RESISTOR				
12516100	1/6TTP 100K	KLM-833		1
BLOCK RESISTORS				
13505510	RKC1/8B5J 10K	KLM-833		1
13506510	RKC1/8B6J 10K			2
13508510	RKC1/8B8J 10K			1
13509510	RKC1/8B9J 10K			1
13510433	RKC1/8B10J 3.3K			1
13807001	RKM7L502G			4
MYLAR CAPACITORS				
20401410	50V 0.001μF	KLM-833		1
20401427	50V 0.0027μF			2
20401522	50V 0.022μF			3
20401533	50V 0.033μF			2
20401547	50V 0.047μF			1
20401568	50V 0.068μF			1
20402410	50V 0.001μF			2
20402468	50V 0.0068μF			1
20402512	50V 0.012μF			1

PARTS CODE	PARTS NAME SPECIFICATIONS	P.C. BOARD	IDENTIFICATION NO. FUNCTION	Q'TY
CERAMIC CAPACITORS				
21226318	50V 180pF J	KLM-833		1
21356100	25V 0.1μF	KLM-829		3
21451500	50V 5pF TP	KLM-833		6
21452100	50V 10pF TP			4
21452330	50V 33pF TP			2
21452470	50V 47pF TP			2
21453220	50V 220pF TP	KLM-832		1
21453220	50V 220pF TP	KLM-833		2
21453680	50V 680pF TP			2
21454100	50V 1000pF TP			2
21455100	50V 0.01μF TP			2
21456100	25V 0.1μF TP	KLM-832		3
21456100	25V 0.1μF TP	KLM-833		37
SPARK KILLER				
21900300	PME265MC 533	KLM-829		1
TAMTALUM CAPACITORS				
22424147	25V 4.7μF-M	KLM-833		1
22425022	35V 0.22μF			2
ELECTROLYTIC CAPACITORS				
23507322	16V 220μF	KLM-829		1
23507347	16V 470μF			2
23507410	16V 1000μF			1
23513410	35V 1000μF			2
25402310	10V 100μF	KLM-833		5
25403247	16V 47μF	KLM-832		1
25403247	16V 47μF	KLM-833		14
25404147	25V 4.7μF			11
25404210	25V 10μF	KLM-832		4
25404210	25V 10μF	KLM-833		48
25464168	25V 6.8μF			1
25466047	50V 0.47μF			1
25466110	50V 1μF			1
TRANSISTORS				
30400020	2SA1175 K TN	KLM-833		8
30420020	2SC2785 K TN	KLM-832		1
30420020	2SC2785 K TN	KLM-833		14

PARTS CODE	PARTS NAME SPECIFICATIONS	P.C. BOARD	IDENTIFICATION NO. FUNCTION	Q'TY
30420060	2SC-1959Y	KLM-832		2
30420060	2SC-1959Y	KLM-833		1
DIGITAL TRANSISTOR				
30430040	DTC-114Y	KLM-833		1
DIODES				
31001500	SR1K-2	KLM-829		11
31001500	SR1K-2	KLM-832		1
31001500	SR1K-2	KLM-833		1
31401300	1SS-133	KLM-832		1
31401300	1SS-133	KLM-833		35
LEDs				
31201400	PR 3932S	KLM-831		2
31203900	SLB-26VR3F RED	KLM-825		1
31204000	SLB-26MG3F GREEN			2
31205000	LN513RA RED	KLM-831		4
31205100	LN513GA GRN			2
31205200	SLB-26DU3F	KLM-825		1
ZENER DIODES				
31420200	RD-5.1EB-TN-B2	KLM-833		3
31421400	RD-12-T1-B2			1
31421700	RD7.5-T1-B2			2
ICs				
32001023	μPD-4066BC	KLM-833	Quad analog switch	1
32001048	μPD-4164C-3		65536 bit dynamic RAM	8
32001059	μPD-4538BC		Dual precision retrigger able monostable multivibrator	1
32001071	74HC (40H) 138C		3-line to 8-line decoder	4
32001073	74HC (40H) 373C		Octal D type latch with 3 state output	1
32001074	μPD6360C		Dual analog switch	1
32001076	μPD7810CW		CPU	1
32002019	AN-6878		LED driver	1
32002155	74HC (40H) 273		Octal D type flip-flop	1
32004020	HD-14174 BP		Hex D type flip-flop	4
32004030	HA-17408P		8 bit DAC	1
32004039	HD-14053BP		Analog multiplexer	10
32007016	BA6110		VCA	1

PARTS CODE	PARTS NAME SPECIFICATIONS	P.C. BOARD	IDENTIFICATION NO. FUNCTION	Q'TY
32007017	BA9221	KLM-833	12 bit DAC	1
32009001	NJM-4558D-V		OP AMP	5
32009004	NJM-78L05A		Regulator for DAC	1
32009012	NJM-311D		Comparator	1
32009022	NJM-4558D-D		OP AMP	1
32009032	NJM-78M05A	KLM-829	Power regulator (+5V)	1
32009033	NJM-78M15A		Power regulator (+15V)	1
32009034	NJM-79M15A		Power regulator (-15V)	1
32011020	M5224P	KLM-833	OP AMP	2
32011024	M-5223		OP AMP	1
32012002	MB-8416-20LP		16384-bit RAM	1
32012003	MBM-2764-25Z		65536-bit EPROM	1
32012011	MB60H144		Gate array	1
32013001	PST-518		Reset	1
32021011	TL-072		OP AMP	2
32021036	SN-74LS624		VCO	1
32021046	SN74HC393		Dual 4 bit binary counter	1
32025002	NE-571		Compander	1
PHOTO COUPLER				
33001000	TLP-552	KLM-832		1
CERAMIC OSCILLATOR				
33501700	KBR-12.0MHz	KLM-833		1
P.C. BOARD WITH PARTS				
34082510	KLM-825	KLM-825		1
34082910	KLM-829	KLM-829		1
34083100	KLM-831	KLM-831		1
34083200	KLM-832	KLM-832		1
34083300	KLM-833	KLM-833		1
SEMI FIXED VRs				
35001310	H0651A 10KB	KLM-833		5
35001347	H0651A 47KB			1
35001410	H0651A 100KB			2
VRs				
36019000	K09110A25 10KB	KLM-832		1
36019100	K1611008TE 20KB			2
ROTARY ENCODER				
37003100	LA22658			1

PARTS CODE	PARTS NAME SPECIFICATIONS	P.C. BOARD	IDENTIFICATION NO. FUNCTION	Q'TY
SLIDE SW				
37305400	SLS-25-2042	KLM-832		1
TACT SWs				
37504800	KEC-10010	KLM-831		1
37504900	KEC-11903			13
POWER SW				
37506100	Power SW SDL-1P			1
POWER TRANSFORMERS				
40008900	TA-802		100V	1
40008900	TA-802		UNI	1
40008900	TA-802		JAM	1
40008900	TA-802		117 2P	1
40009000	TB-802		220 GE	1
40009000	TB-802		220 SE	1
40009000	TB-802		240 AF	1
40009000	TB-802		240 AU	1
40009000	TB-802		DEMKO	1
40009000	TB-802		SEMKO	1
40009000	TB-802		NEMKO	1
40009000	TB-802		240 GE	1
40009000	TB-802		GAF	1
40009000	TB-802		FIMKO	1
40009000	TB-802		240 RME	1
40009000	TB-802		VDE	1
LOW PASS FILTERS				
40202000	PFB-3-4500-01	KLM-833		2
40202100	FB-22-0527-06			2
RELAYS				
40300800	FR-644D05/1AS	KLM-833		1
40300900	FR-644D05/2AS	KLM-832		1
PHONE JACKS				
45402000	HLJ0520-01-110			8
45402100	HLJ0520-01-010			1
SNAP PLATES				
45402400				4

PARTS CODE	PARTS NAME SPECIFICATIONS	P.C. BOARD	IDENTIFICATION NO. FUNCTION	Q'TY
FUSES				
46402301	125V 2A UL		100V	1
46402301	125V 2A UL		UNI	1
46402301	125V 2A UL		JAM	1
46402301	125V 2A UL		117 2P	1
46411701	250V 0.5A UL		100V	1
46411701	250V 0.5A UL		UNI	1
46411701	250V 0.5A UL		JAM	1
46411701	250V 0.5A UL		117 2P	1
46412003	250V 1.0A UL		100V	2
46412003	250V 1.0A UL		UNI	2
46412003	250V 1.0A UL		JAM	2
46412003	250V 1.0A UL		117 2P	2
46461501	250V T315MA		220 GE	1
46461501	250V T315MA		220 SE	1
46461501	250V T315MA		240 AF	1
46461501	250V T315MA		240 AU	1
46461501	250V T315MA		DEMKO	1
46461501	250V T315MA		SEMKO	1
46461501	250V T315MA		NEMKO	1
46461501	250V T315MA		240 GE	1
46461501	250V T315MA		GAF	1
46461501	250V T315MA		FIMKO	1
46461501	250V T315MA		240 RME	1
46461501	250V T315MA		VDE	1
46461701	250V T500MA		220 GE	2
46461701	250V T500MA		220 SE	2
46461701	250V T500MA		240 AF	2
46461701	250V T500MA		240 AU	2
46461701	250V T500MA		DEMKO	2
46461701	250V T500MA		SEMKO	2
46461701	250V T500MA		NEMKO	2
46461701	250V T500MA		240 GE	2
46461701	250V T500MA		GAF	2
46461701	250V T500MA		FIMKO	2
46461701	250V T500MA		240 RME	2
46461701	250V T500MA		VDE	2
46462001	250V T1.0A		220 GE	1
46462001	250V T1.0A		220 SE	1
46462001	250V T1.0A		240 AF	1
46462001	250V T1.0A		240 AU	1
46462001	250V T1.0A		DEMKO	1
46462001	250V T1.0A		SEMKO	1
46462001	250V T1.0A		NEMKO	1
46462001	250V T1.0A		240 GE	1
46462001	250V T1.0A		GAF	1

PARTS CODE	PARTS NAME SPECIFICATIONS	P.C. BOARD	IDENTIFICATION NO. FUNCTION	Q'TY
46462001	250V T1.0A		FIMKO	1
46462001	250V T1.0A		240 RME	1
46462001	250V T1.0A		VDE	1
HARNESSES				
47093800	HNS-838			1
47093900	HNS-839			1
47094000	HNS-840			1
47094100	HNS-841			1
47094200	HNS-842			1
47094300	HNS-843			1
47094400	HNS-844			1
47094500	HNS-845			1
47094600	HNS-846			1
47094700	HNS-847	KLM-832		1
47094800	HNS-848			1
47094900	HNS-849			1
CONNECTOR TOPS				
47130300	B3B-XHA	KLM-833		3
47130400	B4B-XHA			2
47130500	B5B-XHA	KLM-829		1
47130500	B5B-XHA	KLM-833		2
47130600	B6B-XHA			1
47130900	B9B-XHA	KLM-832		1
47130900	B9B-XHA	KLM-833		1
47131000	B10B-XHA			1
47131300	B13B-XHA			1
47131400	B14B-XHA			1
BASE PIN				
47407301	RTB-1.5-5	KLM-829		1
IC SOCKET				
48001282	28P DICA-28CTI	KLM-833		1
DIN SOCKETS				
48010190	TCS4650-01-1211	KLM-832		2

PARTS CODE	PARTS NAME SPECIFICATIONS	P.C. BOARD	IDENTIFICATION NO. FUNCTION	Q'TY
RUBBER FEETS				
50007800	25x25x4.5			4
FUSE HOLDERS				
51501600	S-N5053 #01	KLM-829		8
LITHIC BATTERY				
52001300	CR2032-FT			1
BUSHINGS				
54000300	SR-4K-4		100V	1
54000300	SR-4K-4		UNI	1
54000300	SR-4K-4		117 2P	1
54000400	SR-5P-4		240 AU	1
54000500	SR-6W-1		220 GE	1
54000500	SR-6W-1		220 SE	1
54000500	SR-6W-1		240 AF	1
54000500	SR-6W-1		DEMKO	1
54000500	SR-6W-1		SEMKO	1
54000500	SR-6W-1		NEMKO	1
54000500	SR-6W-1		240 GE	1
54000500	SR-6W-1		GAF	1
54000500	SR-6W-1		FIMKO	1
54000500	SR-6W-1		240 RME	1
54000500	SR-6W-1		VDE	1
54000501	SR-6N3-4		JAM	1
WIRE BANDS				
54005300	SKM-1			1
54007200	PLT-1M			10
TEST PINS				
54007100	LC-2-G-YELLOW	KLM-833		4
ISOLATING WASHERS				
54007300	B-1725K	KLM-829		2

PARTS CODE	PARTS NAME SPECIFICATIONS	P.C. BOARD	IDENTIFICATION NO. FUNCTION	Q'TY
CORD BAND				
54007600	No.113 BLACK			1
PLASTIC RIVETS FOR DIN JACK				
54011000				4
RADIATION MASK				
55005100	120x105			1
RADIATION SHEETS				
56500300	BFG-30	KLM-829		3
LED HOLDERS				
57502200	3x6x5.5	KLM-831		2
AC CORDS				
60000102	KE-1044B PVC.75		100V	1
60000201	SPT-2 18AWG SU426-58		UNI	1
60000201	SPT-2 18AWG SU426-58		117 2P	1
60000301	CLASS1 (SU429-58)		220 GE	1
60000301	CLASS1 (SU429-58)		DEMKO	1
60000301	CLASS1 (SU429-58)		SEMKO	1
60000301	CLASS1 (SU429-58)		NEMKO	1
60000301	CLASS1 (SU429-58)		240 GE	1
60000301	CLASS1 (SU429-58)		FIMKO	1
60000301	CLASS1 (SU429-58)		240 RME	1
60000301	CLASS1 (SU429-58)		VDE	1
60000401	SAA (SU428-58) 3x.75		240 AU	1
60000501	BS PLUG (SU431A-58)		240 AF	1
60000901	SEV (SU430-58)		220 SE	1
60001301	KP-4819D GTCE-3.75		GAF	1
60002000	SJT (SU338-56) 18/3MM		JAM	1
ROTARY VR (SW) KNOB				
62007400	SMALL			1
TACT SW KNOBS				
62011000	KT-8			12

PARTS CODE	PARTS NAME SPECIFICATIONS	P.C. BOARD	IDENTIFICATION NO. FUNCTION	Q'TY
62011001	KT-8			1
62011202	RED			1
POWER SW KNOB				
62011100	SUE55102			1
VR KNOB				
62013200				3
SHIELDING PLATE				
63000300				1
LED FILTER				
63001000	AL-602 T-4			1
METAL FITTING OF FRONT PANEL				
64063600	L			1
64063601	R			1
FRONT PANEL BOARDS				
64063700				2
HEAT SINK				
64063800		KLM-829		1
METAL FITTING OF BUSHING				
64064000	NO1		100V	1
64064000	NO1		UNI	1
64064000	NO1		117 2P	1
64064000	NO1		220 GE	1
64064000	NO1		220 SE	1
64064000	NO1		240 AF	1
64064000	NO1		240 AU	1
64064000	NO1		DEMKO	1
64064000	NO1		SEMKO	1
64064000	NO1		NEMKO	1
64064000	NO1		240 GE	1
64064000	NO1		GAF	1
64064000	NO1		FIMKO	1

PARTS CODE	PARTS NAME SPECIFICATIONS	P.C. BOARD	IDENTIFICATION NO. FUNCTION	Q'TY
64064000	NO1		240 RME	1
64064000	NO1		VDE	1
64064100	NO2		JAM	1
FRONT PANEL				
64069200				1
CHASSIS				
64069300				1
FRONT CHASSIS				
64069400				1
COVER				
64069500				1
METAL FITTING OF PHONE JACK				
64069600				1
NAME PLATES				
68600700			UNI	1
68600700			JAM	1
68600700			117 2P	1
68600700			220 GE	1
68600700			220 SE	1
68600700			240 AF	1
68600700			240 AU	1
68600700			DEMKO	1
68600700			SEMKO	1
68600700			NEMKO	1
68600700			240 GE	1
68600700			GAF	1
68600700			FIMKO	1
68600700			240 RME	1
68600700			VDE	1

PARTS CODE	PARTS NAME SPECIFICATIONS	P.C. BOARD	IDENTIFICATION NO. FUNCTION	Q'TY
SCREWS				
70060512	FE P BZMC 5x12			4
70530306	FE B ZMC 3x6			26
70530308	FE B ZMC 3x8	KLM-829		5
70530408	FE B ZMC 4x8			1
70560310	FE B BZMC 3x10			5
72160308	TP2G F BZMC 3x8			4
72560306	TP2G B BZMC 3x6			24
NUTS				
77030300	FHN ZMC 3			5
77030400	FHN ZMC 4			1
77130300	HN1 ZMC 3	KLM-829		3
WASHERS				
78060500	WM BZMC 5x12			4
78160400	WK BZMC 4			4
78430400	TWU ZMC 4		JAM	1
78430400	TWU ZMC 4		220 GE	1
78430400	TWU ZMC 4		220 SE	1
78430400	TWU ZMC 4		240 AF	1
78430400	TWU ZMC 4		240 AU	1
78430400	TWU ZMC 4		DEMKO	1
78430400	TWU ZMC 4		SEMKO	1
78430400	TWU ZMC 4		NEMKO	1
78430400	TWU ZMC 4		240 GE	1
78430400	TWU ZMC 4		GAF	1
78430400	TWU ZMC 4		FIMKO	1
78430400	TWU ZMC 4		240 RME	1
78430400	TWU ZMC 4		VDE	1
VR HOLDER				
79022102	10x7x2 BSBM			1
SCREWS W/HEX HOLE				
79090408	4x8 BZMC			4